

MODEL H664,
Ch. 6H02

USE ONLY ZENITH NON-INDUCTIVE
ELECTROLYTIC CONDENSER FOR
REPLACEMENT.
IF ANY OTHER TYPE OF ELECTROLYTIC
IS USED IT WILL BE NECESSARY TO ADD
PARTS SHOWN IN DOTTED LINES.

I.F. TRANSFORMER NUMBERING STARTS
WITH ¹ TERMINAL AS FIRST TERMINAL
CLOCKWISE AND ADJACENT TO MARKER
AS VIEWED FROM BOTTOM OF CHASSIS.
"X" TEST POINT

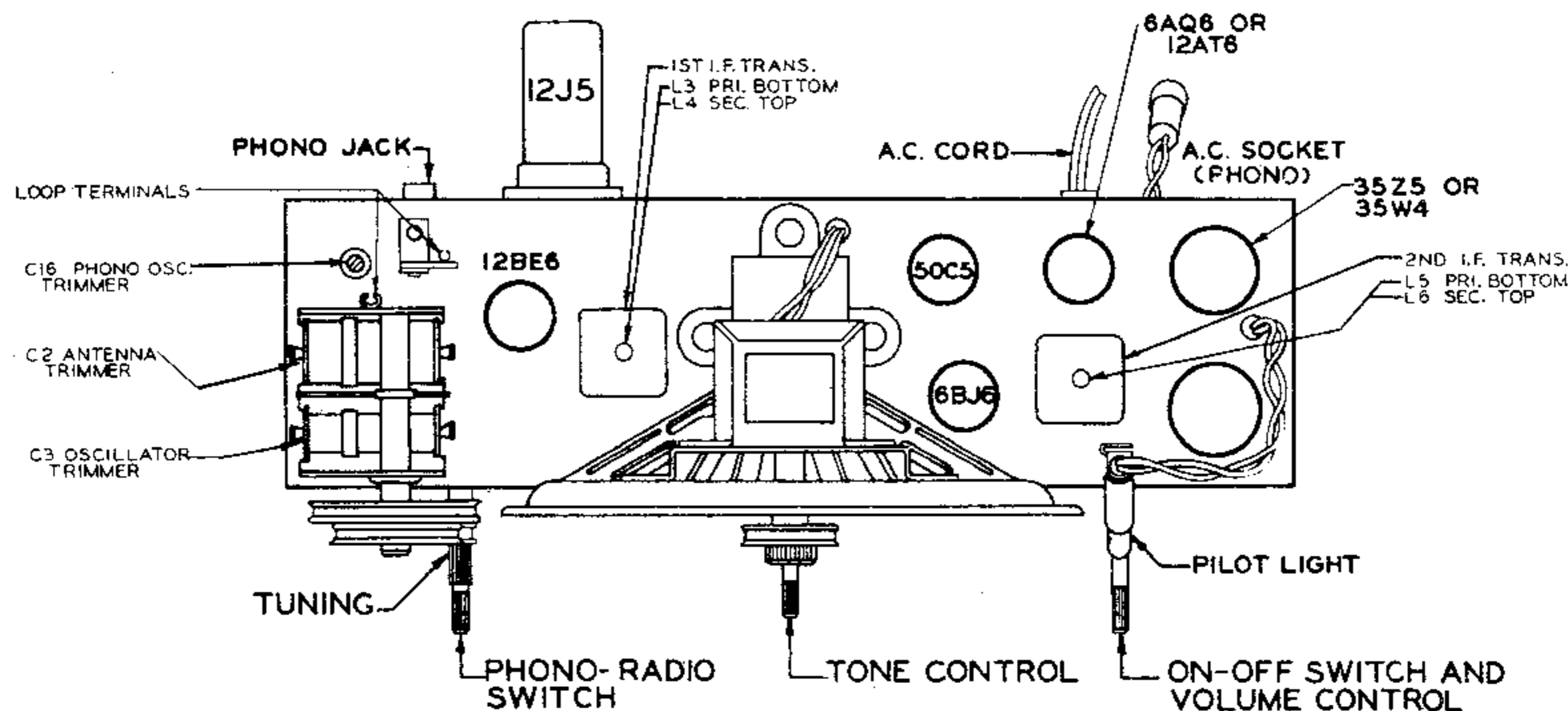
PARTS LIST
MODEL H664 CHASSIS 6H02

PART NO.	DIAG. NO.	DESCRIPTION	PART NO.	DIAG. NO.	DESCRIPTION
Dial Assembly			Miscellaneous		
26-456		Dial Scale & Escutcheon	11-85		Line Cord & Plug - 6 ft. long
46-718		Phono Radio Knob	12-1812		Pilot Light Socket Mtg. Brkt.
46-855		Tone Control Knob	14-1293		Plastic Cabinet for H664 (Top Section)
46-924		Tuning Control Knob	12-1294		Plastic Cabinet for H664 (Bottom Section)
59-255		Dial Pointer	16-786		Packing Carton
78-911		Pilot Light Socket & Wire	17-116		Wavemagnet Retaining Clamp
80-69		Dial Cord Tension Spring	19-169		Record Changer Mtg. Clip (3 used)
80-209		Dial Cord Tension Spring	24-566		Chassis Cover
83-1868		Pilot Light Indicator Strip	40-93		Cabinet Cover Hinge (2 used)
100-67	PL1	Dial Light Bulb	40-94		Cover Support Hinge
188-60		Retaining Ring (used on S-17857)	44-25		Phono Jack
188-102		Knob Retaining Ring (46-924)	49-697	SP1	7½" PM Speaker
S-17638		Dial Cord Assembly (Short)			ZC7512B Cone & Voice Coil
S-17639		Dial Cord Assembly (Long)	52-588		Two Prong Receptacle & Cable
S-17640		Pulley & Bushing Assembly	54-129		Speed Nut (7 used on Dial Scale Mtg. & 2 used Wavemagnet Mtg.)
S-17857		Tuning Shaft & Pulley Assembly	54-139		3/8-32x9/16" Palnut Cad. (1 ea. used on 85-499 & 63-2270)
S-17923		Volume Control Knob Assembly	54-140		3/8-32x9/16"x3/32 Hex Nut-Steel N.P.(used on 63-2269)
Coils & Chokes			54-271		6-32x1/4" Palnut Cad. (1 ea. used on 95-1101 & 95-1102)
95-1101	T1	1st. I.F. Transformer	57-1713		Record Changer Trim Plate
95-1102	T2	2nd. I.F. Transformer	78-709		Octal Tube Socket
S-12603	L7	Phono Oscillator Coil Assembly	78-801		Octal Tube Socket (used only when 35Z5GT is used)
S-13799	L2	Oscillator Coil Assembly	78-806		Miniature Tube Socket (2 used)
Condensers			78-807		Miniature Tube Socket (2 used)
22-3	C8	.01 Mfd. Ceramic (Disc) (3 used) 500V	78-810		Miniature Tube Socket
22-4	C10	.004 Mfd. Ceramic (Disc) (2 used) 500V	78-910		Elect. Cond. Socket
22-5	C5	110 Mmfd. Ceramic (Disc)(or 22-162)500V	80-830		Record Changer Mtg. Spring (4 used)
22-178	C9	.05 Mfd. 200V	83-1908		Felt Strip
22-829	C4	.05 Mfd. (3 used) 200V	85-499	S1	Phono-Radio Switch (or 85-512)
22-854	C6	.0005 Mfd. 600V	94-295		Gang & Spkr. Mtg. Bushing (4 used)
22-1182	C11	.01 Mfd. 400V	94-753		Bushing (4 used on 57-1713)
22-2242	C16	Trimmer Cond.	112-773		#6x3/8 Phill. B.H.S.T. St. Br. (2 ea. used on S-17651 & 24-566 & 4 used on 40-94)
22-2272	C12,13,14	Elect. Cond. 20 Mfd.-150V x 40 Mfd. - 150V x 80 Mfd. - 150V	112-820		#8x½" Phill. Flt. Hd. S.T. (4 used on each 40-93)
22-2273	C1	Two Gang Variable Cond,	112-827		6-32x3/8 Phill. Flt. Hd. S.T. Br. (3 used on Dial Scale Mtg.)
22-2311	C17	100 Mmfd. Ceramic 500V	112-828		6-20x7/8 Phill. Flt. Hd. S.T. (4 used on 57-1713)
105-27	U1	Couplate Unit (or 1 ea. 22-3 & 22-854 & 2 ea. 63-1898)	114-39		#8x1/4" Hex Hd. S.T. (used on 12-1812)
Resistors			114-42		#10-32x1-1/4" Hex Washer Hd. Cad. (4 used chassis Mtg)
63-1219	R14	22 ohm W.W. 1/2W 20% Ins. Res.	125-81		Strain Relief Grommet
63-1574	R13	1000 ohm 1W 20% Ins. Res.	125-82		Strain Relief Grommet
63-1782	R8	820 ohm 1/2W 10% Ins. Res.	126-674		Dial Light Shield
63-1786	R5	1000 ohm 1/2W Ins. Res.	138-45		Cabinet Grill
63-1800	R11	2200 ohm 1/2W 20% Ins. Res.	188-34		Retaining Ring (used on 63-2269)
63-1828	R2	10K ohm(2 used) 1/2W 20% Ins. Res.	196-172		Speaker Gasket
63-1842	R9	22K ohm 1/2W 20% Ins. Res.	202-858		Instruction Book (Radio-Phono)
63-1856	R15	47K ohm(2 used) 1/2W 20% Ins. Res.	S-14041		Cobra-Matic Record Changer
63-1926	R3	2.2 Megohm(3 used) 1/2W 20% Ins. Res.	S-15780		Cobra Cartridge Assembly
63-1940	R7	4.7 Megohm 1/2W 20% Ins. Res.	S-16419		Record Adapter Plug & Envelope Assembly
63-1961	R1	15 Megohm 1/2W 20% Ins. Res.	S-17651	L1	Wavemagnet Assembly
63-1977	R12	150 ohm 1W 10% Ins. Res.			
63-2269	R10	Tone Control			
63-2270	R6	Volume Control & Switch			

The I.F. transformers incorporated in this receiver are of the new permeability tuned type. The advantage of an I.F. transformer of this type is its extreme stability under various humidity and temperature conditions. The upper coil is the secondary and the lower the primary. When adjusting these I.F. transformers the tuning wrench 68-19 can be inserted into the top slug, rotated until maximum output is obtained and

then dropped down to the lower slug and the same operation repeated. The tuning wrench is so designed that turning one slug does not affect the adjustment of the other. In the event the receiver oscillates during phono operation, adjust C16 4-80 mmf. capacitor to a point at which the oscillation ceases.

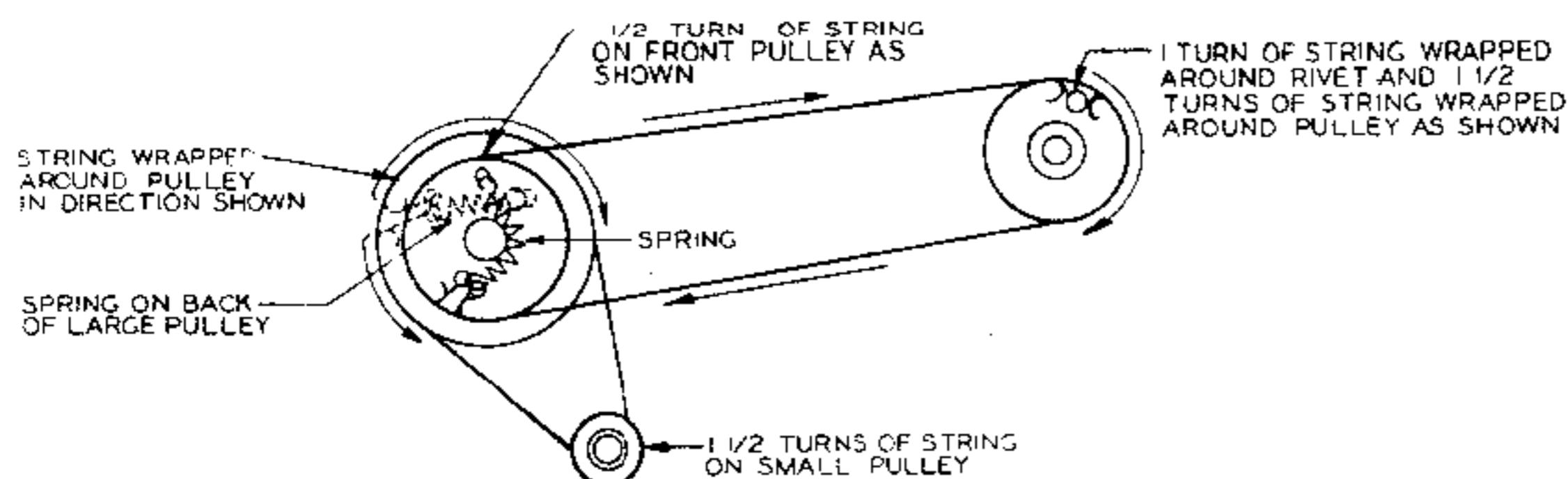
This position of no oscillation will sometimes vary with different cartridges, and in this case readjustment of C16 must be made.



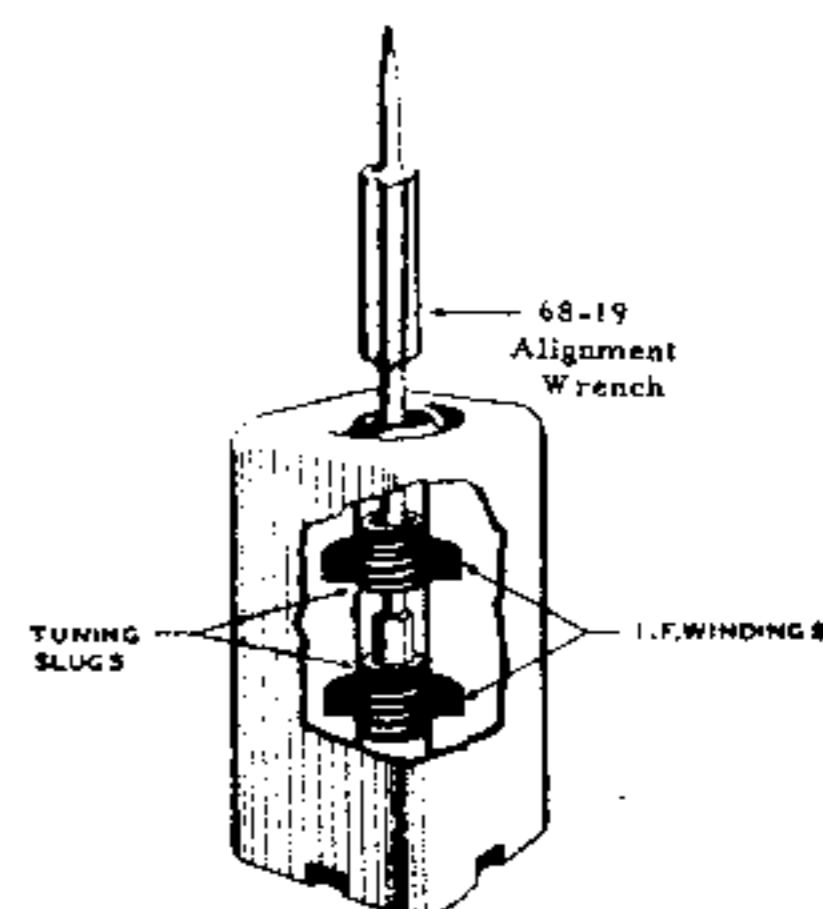
TUBE AND TRIMMER LOCATION

ALIGNMENT PROCEDURE

OPERATION	CONNECT OSCILLATOR TO	DUMMY ANTENNA	INPUT SIG. FREQUENCY	SET DIAL AT	TRIMMERS	PURPOSE
1	Converter Grid	.5 Mfd.	455 Kc.	600 Kc.	L3, 4, 5, 6	For I. F. Alignment
2	One Turn Loop Coupled Loosely to Wave Magnet	--	1600 Kc.	1600 Kc.	C-3	Set Oscillator to Dial Scale.
3		--	1400 Kc.	1400 Kc.	C-2	Align Antenna Stage



DIAL CABLE DRAWING AND DETAIL OF I. F. TRANSFORMER



Detail of
IF Transformer

